

Mobile Screening Plants DM 615

Model	Max. Feeding Size	Capacity (t/h)	Final Size mm (Adjustment Type)	Motor Power (kW)
DM 615	3 deck – 4 product	250 – 400 t/h	Adjustment Type	60Kw

DM 615 - Mobile Screening Plant New Technology The entire system of the DM 615 Mobile Screening System is assembled on a single platform and can be transported with a truck. Designed to be installed within an hour .Can do the work alone of the classical plants. We are currently the most preferred machines in the World and Turkey market.

Existing machines and equipment in the system;

*** Bunker feeding hopper**

It is a bunker system with a volume of 6 m3 and the upper part of this bunker system is Girzzly grate. It prevents large items from entering the hopper. It runs smoothly and with minimal maintenance requirements.

Thanks to the hydraulic system, heavy materials are poured out by lifting the lower pistons.

The additional hopper is optional and additional hopper can be purchased if trucking is desired.

*** Feeder System**

Feeding Size : 1000 mm

There is also a manual adjustment mechanism in the feed system. Thanks to this mechanism, the feed density can be adjusted.

*** Main Conveyor Belt System:**

It is 1000 mm wide and is of palette type.

Drive drums are rubber coated and threaded.

The gear units are 3 transducer type "K" and the new generation is a system with torque connection.

Side scraper system is available to prevent outflow.

By means of the sputter collecting system, material drop is provided around the groove.

*** Vibrating Screen System High Capacity:**

Screen Sizes : 1st Floor 1500 mm X 4360 mm 2nd Floor: 1500 mm X 4000 mm 3rd Floor: 1500 mm X 3700 mm

Motor Power: 5 kw

Number Of Decks : 3 Decks

Special type suitable for vibration.

*** Under-Sieve Stock Conveyor Belt System**

It is 1000 mm wide and foldable type. Drive drums are rubber coated and threaded. The gear units are 3 transmission type and the new generation is with torque connection system. A side scraper system is available to prevent spillage of the final product into the stock area during casting.

Material collection around the groove is achieved thanks to the collecting system. All three stock conveyors are folding type and have a large under-sieve stock area. A total of 3 products can be obtained from the mobile screen system. Hydraulic system is used in the system to ensure ease of operation. The mobile screening system is fixed thanks to the hydraulic system and feet.

*** Stock Conveyor Belt System**

There are two 500 mm wide folding type. Drive drums are rubber coated and threaded. The gear units are 3 transmission type and the new generation is with torque connection system. A side scraper system is available to prevent spillage of the final product into the stock area during screening.

*** Mobile Chassis System**

It is equipped with 2 axle, air-operated brake system and signaling system. Special heavy duty construction chassis. Hydraulic system has 4 hydraulic foot mechanisms. These feet are strengthened by the fixed feet after they are locked. Hydraulic Power System thanks to 105 liter, all pistons are controlled by special control system.

*** Panel and Control System**

The material is Siemens branded. The panel system has a remote control system that operates with radio control frequency. In addition, the panel system is specially insulated against dust and water.

*** All functions can be controlled with Remote Control (Radio Control System).**

- The dust suspension control system prevents dusting by spraying the high pressure water nozzle to press the dust on the main conveyor. -

Electric Motors IE2 is a highly efficient type.

- Conveyor belt systems are suitable for long use with 10 mm thickness with EP 125 and EP 160 cortex.

- Bearings are SKF or equivalent.

Total Motor Power: 60 kw

Final Product Size: In Desired Sizes The capacity is variable according to the material feed and final product dimensions to be broken and it is 250-400 tons capacity.

***Additional Standard Features in the System**

- Dust Suspension Control System

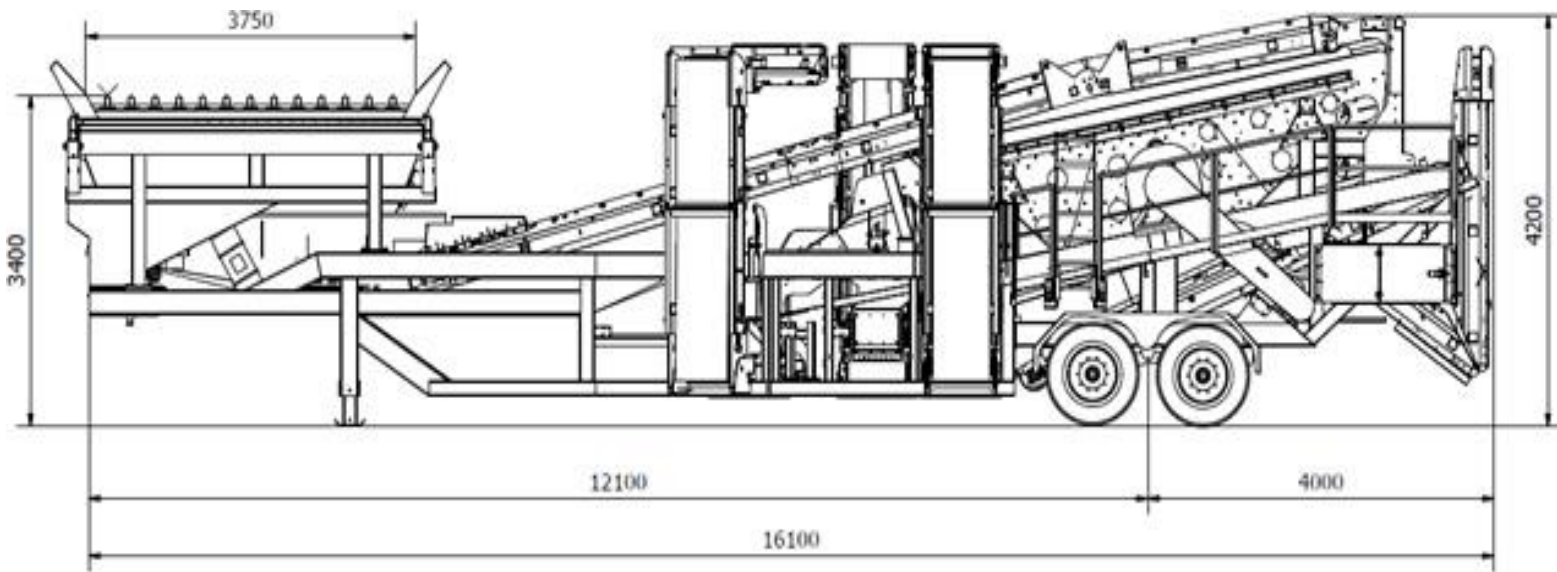
***Optional Features**

- Additional hopper for truck feeding (Optional)

- The Generator System is optional and is powered by diesel engines from Cummins, Perkins, Doosan, Deutz and Marelli or Stanford alternators. (Optional- Opening and closing feature of stock conveyor with hydraulic piston (Optional)

**** Weight: 29.400 kg**

All of our products are CE certified.



Why New Generation DM Mobile Crushing and Screening Plants?

Classical mobile plants need to combine some mobile platforms to become a plant. This means long assembly time for installation which causes to time and labour loss. With our new generation mobile plants, all plant equipments are at only one platform. It can be ready to use in short time. The established plant can be transferred in couple hours. The other benefits are:

- It can be established at small areas with the help of its compact structure.
- Transferring by just one track provides easa of transport.
- It can be started immediately and saves cost of basement thanks to run without fixed with concrete.
- Controlling by only one person provides ease of use.
- New generation crushing plants need minimum maintenance thanks to its latest technology.
- It saves cost of basement and provides low initial investment cost.
- It can operate high gradation ratio process by itself that needs more then one machine to be completed. There are 2 or 3 different types of crushers such as primer, seconder and tertiary. In our system, we have latest technology crusher which is capable of doing alone what the other crushers can be made. Gradation ratio is very high thanks to tough and big tune blocks. There are up to 50 times dilution curve. (This option is available for DM 7, 9, 10, 15, 20)
- It can work with both electricity system and generator depends on your request.
- Production cost per ton is %50 more lower.
- New generation mobile systems' energy consume is about 50 to 60 % according to the classical plants.
- One of the biggest avantage ,it has ivariety of aggregates for concrete asphalt plants.(It can produce three types of products).

Web: www.dmcruasherandscreener.com

Mobile Phone : +90 542 666 11 11